

Datasheet

Alta Video

4MP

6MP

8MP

Up to 10-Year Warranty

# Avigilon Alta H6A Bullet cameras

Turn sight and sound into improved safety



Focus your security with Avigilon H6A Bullet cameras. Offering resolutions up to 8 MP and integrated AI-driven video and audio intelligence, this enables faster activity detection and proactively streamlines investigations with high-quality evidence.

## High-definition coverage



Get the clarity you need with video up to 8MP. Secure large areas with long-range analytical detection, optimizing coverage while potentially reducing hardware count.

## AI-powered video analytics



Transform video into instant insights with built-in analytics that alert teams to abnormal behavior and critical events, enabling quicker, more informed responses.

## Trusted security, built-in



Secure from the ground up with advanced cybersecurity features, including FIPS 140-3 rated Trusted Platform Module (TPM) and Secure Boot.

## Durable, all-weather design



Deploy with confidence in challenging environments. Rated IK10/11, IP66/68, and NEMA Type 4X, the H6A Bullet withstands impact, water, and corrosion, providing continuous security.

## Integrated audio awareness



Expand beyond sight with a built-in microphone for advanced alerts for sounds. Review the corresponding video instantly, with the option to record necessary audio evidence for review.

## Cloud-managed convenience



Manage your sites from anywhere with a cloud-native platform. Automatic software updates deliver the newest features and security protections seamlessly, reducing maintenance overhead.

For more information, visit [avigilon.com/security-cameras/h6a-bullet](https://www.avigilon.com/security-cameras/h6a-bullet).

# Specifications

IMAGE PERFORMANCE		4.0 MP	6.0 MP	8.0 MP (4K ULTRA HD)
Image Sensor		1/1.8" progressive scan CMOS	1/1.8" progressive scan CMOS	1/1.8" progressive scan CMOS
Max Resolution (H x V)	Maximum	2688 x 1520 15fps @3Mbps	3326 x 1872 15fps @3Mbps	3840 x 2160 15fps @6Mbps
	High	1920 x 1080 15fps @1.5Mbps	1920 x 1080 15fps @1.5Mbps	2560 x 1440 15fps @3Mbps
	Medium	1280 x 720 15fps @750Kbps	1280 x 729 15fps @750Kbps	1920 x 1080 15fps @1.5Mbps
	Low	640 x 360 10fps @400Kbps	848 x 480 10fps @400Kbps	1280 x 720 5fps @ 700Kbps
Aspect ratio		16:9	16:9	16:9
Dynamic Range	WDR Off	Up to 83 dB	Up to 83 dB	Up to 83 dB
	WDR On (IEC 62676)	Up to 106dB (dual exposure, 30 fps) Up to 136dB (triple exposure, 20 fps or less)	Up to 130dB (dual exposure, 30 fps)	Up to 130dB (dual exposure, 30 fps)
	WDR On	Up to 120dB (dual exposure, 30 fps) Up to 144dB (triple exposure, 20 fps or less)	Up to 144 dB (dual exposure, 20 fps or less)	Up to 144 dB (dual exposure, 20 fps or less)
Max Frame Image Rate		(50 Hz/60 Hz): 25 fps/30 fps	(50 Hz/60 Hz): 25 fps/30 fps	(50 Hz/60 Hz): 25 fps/30 fps
Signal-to-Noise Ratio (SNR)		> 50 dB	> 50 dB	> 50 dB

IMAGE CONTROL	
Image Compression Method	H.264
Streaming	Multi-stream H.264
Electronic Shutter Control	Automatic
Iris Control	Automatic
Day/Night Control	Automatic, Manual
Flicker Control	60 Hz, 50 Hz
White Balance	Automatic
Image Rotation	0°, 90°, 180°, 270° including Corridor Mode
Privacy Zones	Up to 64 zones



LENS AND IR ILLUMINATION	SHORT BULLET		LONG BULLET <sup>2</sup>	
	2.8 - 12 MM	4.4 - 9.3 MM	4.5 - 148.5 MM	6.9 - 214.6 MM
IR Illumination Max Distance <sup>1</sup> (high power 850 nm LEDs)	50 m (164 ft), full tele 30 m (98 ft), full wide	70 m (229 ft), full tele 40 m (131 ft), full wide	170m (558 ft), full tele 40m (131ft), full wide	170m (558 ft), full tele 40m (131ft), full wide
Minimum Illumination	4 MP	N/A	With IR: 0 lux in monochrome mode Without IR: 0.003 lux in monochrome mode; 0.008 lux in color mode	With IR: 0 lux in monochrome mode Without IR: 0.004 lux in monochrome mode; 0.01 lux in color mode
	6 MP & 8 MP	N/A	With IR: 0 lux in monochrome mode Without IR: 0.006 lux in monochrome mode; 0.02 lux in color mode	With IR: 0 lux in monochrome mode Without IR: 0.008 lux in monochrome mode; 0.03 lux in color mode
Horizontal Angle of View Based on Aspect Ratio	4 MP	N/A	(16:9) 47° – 111° (4:3) 35° – 78°	(16:9) 2.9° – 62.5° (4:3) 2.2° – 47°
	6 MP & 8 MP	N/A	(16:9) 47° – 109° (4:3) 35° – 78°	(16:9) 2.9° – 62.5° (4:3) 2.2° – 48°
Vertical Angle of View Based on Aspect Ratio	4 MP	N/A	(16:9) 26° – 57° (4:3) 26° – 57°	(16:9) 1.6° – 36° (4:3) 1.6° – 36°
	6 MP & 8 MP	N/A	(16:9) 26° – 57° (4:3) 26° – 57°	(16:9) 1.6° – 36° (4:3) 1.6° – 36°
Max Aperture	F1.4	F1.3	F1.65	F1.65
Control	Remote Zoom and Focus, Autofocus, IR Cut Filter	Remote Zoom and Focus, Autofocus, IR Cut Filter	Remote Zoom and Focus, Autofocus, IR Cut Filter	Remote Zoom and Focus, Autofocus, IR Cut Filter

<sup>1</sup> IR illumination power may be reduced at higher operating temperatures.

<sup>2</sup> Minimum Illumination with IR was measured at F/1.4.

NETWORK	
Network	100BASE-TX for H6A
Cabling	CAT5e
Connector	RJ-45
ONVIF	ONVIF® compliance Profile S, Profile T, Profile M and Profile G ( <a href="http://www.onvif.org">www.onvif.org</a> )
Security	Password protection, HTTPS encryption, digest authentication, WS authentication, user access log, 802.1x port based authentication, onboard FIPS 140-2 L3 certified TPM, Secure Boot, Signed and encrypted firmware
Protocols	IPv6, IPv4, HTTP, HTTPS, SOAP, DNS, NTP, RTSP, RTCP, RTP, TCP, UDP, IGMP, ICMP, DHCP, ARP, HSTS
Streaming Protocols	WebRTC, RTP/RTSP/UDP, RTP/RTSP/TCP, RTP/RTSP/HTTP/TCP, RTP/RTSP/HTTPS/TCP
Device Management Protocols	SNMP v2c, SNMP v3



PERIPHERALS	
USB Port <sup>3</sup>	USB 2.0
Onboard Storage	Up to two microSD/microSDHC/microSDXC cards fitted to match purchased retention period.

<sup>3</sup> Not currently supported.

AUXILIARY I/O	
Audio Compression Method	G.711 PCM 8 kHz, Opus
Audio Input/Output	Line level input and output
External I/O Terminals <sup>4</sup>	1 x Relay In, 1 x Relay Out, 1 x 12 VDC out at 50 mA
Microphone	Built-in microphone for audio analytics, for certain variants, with physical disable switch

<sup>4</sup> Not currently supported.

MECHANICAL	SHORT BULLET	LONG BULLET
Dimensions (LxWxH)	311 mm x 133 mm x 133 mm; 12.23" x 5.23" x 5.23"	407mm x 137mm x 138mm; 16.02" x 5.39" x 5.43"
Weight	Camera	2.11 kg; 4.65 lbs
	Wall Plate	0.15 kg; 0.33 lbs
Body	Polycarbonate and aluminum	
Housing	Backbox Mount	
Finish	High polished plastic injection mold; Powdercoat grey, pantone 427C	
Adjustment Range	Hinge +/- 90°, Rotation +/- 175°	

ELECTRICAL	SHORT BULLET	LONG BULLET
Power Consumption	25W Max	
Power Source	PoE	IEEE 802.3af Class 3
	PoE+	IEEE 802.3at Class 4
IR Illuminator Behavior	PoE	Above 60 °C (140 °F), IR will be disabled. Between -5 °C (23 °F) and 55 °C (131 °F), IR operates at 30% power. Below -20 °C (-4 °F), IR operates at 10% power. Hysteresis at 5 °C (9 °F).
	PoE+ or Aux Power	Above 60 °C (140 °F), IR will be disabled. Between 50 °C (122 °F) and 60 °C (140 °F), IR operates at 50% power. Below -20 °C (-4 °F), IR operates at 50% power. Hysteresis at 5 °C (9 °F).
External Power	12-24 VDC +/-10%	
RTC Backup Battery	3V manganese lithium	
Memory	4GB RAM, 4GB Flash	



ENVIRONMENTAL	
Operating Temperature	-50°C to +65°C (-58°F to 149°F)
Startup Temperature	-40°C to +65°C (-40°F to 149°F)
Absolute Maximum Temperature	74°C (165°F) per NEMA TS2 (Temp.) para 2.2.7.2 - 2.2.7.7
Storage Temperature	-10°C to +70°C (14°F to 158°F)
Humidity	0 - 100% non-condensing

CERTIFICATIONS	
Certifications/Approvals	UL, cUL, CE, ROHS, RCM, UKCA, NOM, KC, BIS
Safety Standards	UL 62368-1, CSA 62368-1, IEC/EN 62368-1, IEC 62471
Environmental Standards/Ratings	IEC 60529 IP66, IP67, IP68 (1.8m depth for 2 hours), IPX9K, NEMA 4X, IEC 60068-2 Shock & Vibration, NEMA TS2 Sec 2.2.7-2.2.9, IK10
Electromagnetic Emissions Standards	FCC Part 15 Subpart B Class B, ICES-003 Class B, EN 55032 Class B, EN 61000-6-3, EN 61000-3-2, EN 61000-3-3, EN 50121-4, EN 50130-4
Electromagnetic Immunity Standards	EN 55035, EN 61000-6-1, EN 50121-4, EN 50130-4
Warranty <sup>5</sup>	Limited 10 Year Warranty ( <a href="http://avigilon.com/support/warranty">avigilon.com/support/warranty</a> )

<sup>5</sup> With valid camera license.



# Analytics specifications

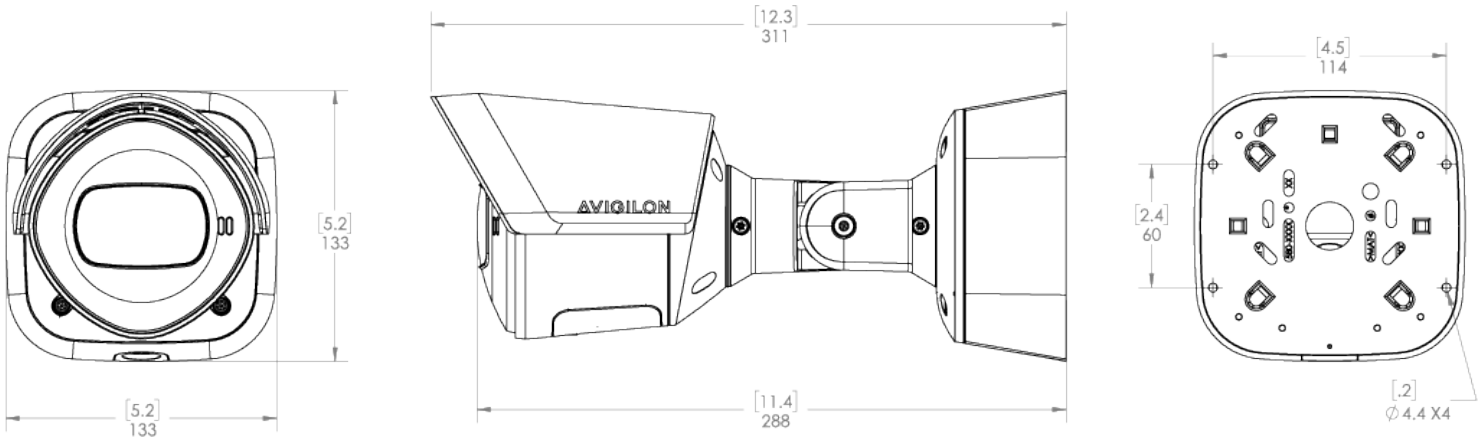
For information about the analytics available from cameras attached to Alta Video, see <https://docs.avigilon.com/bundle/alta-video-vms/resource/alta-video-vms.pdf>.



# Outline Dimensions

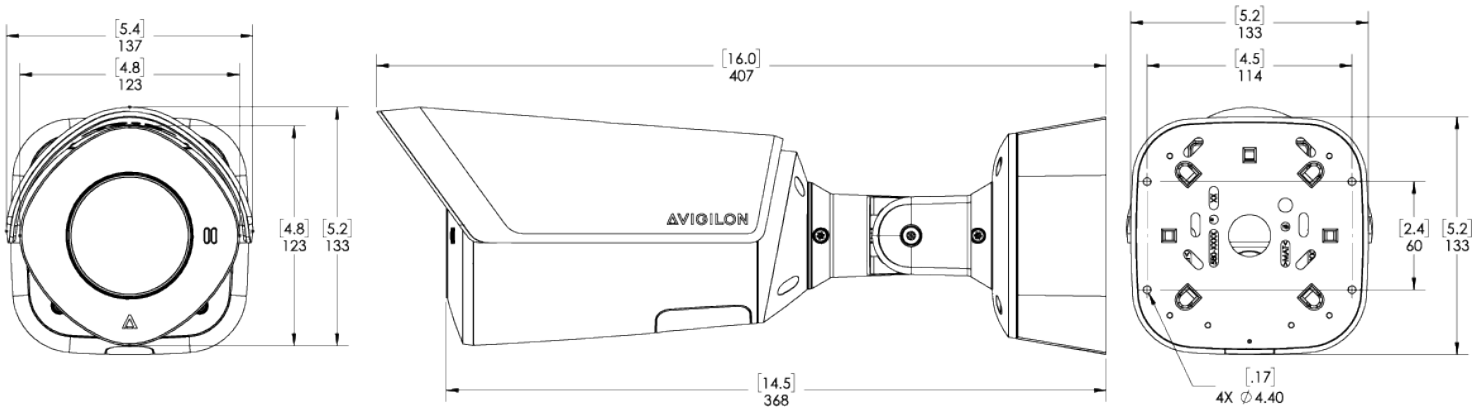
## H6A Short Bullet Camera (H6A-B01-IR)

[X.X]	INCHES
X	MM



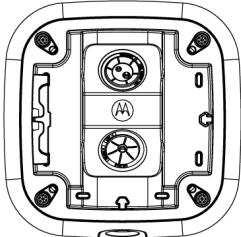
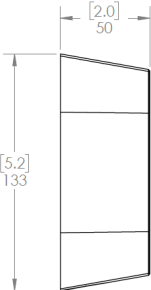
## H6A Long Bullet Camera (H6A-B02-IR)

[X.X]	INCHES
X	MM

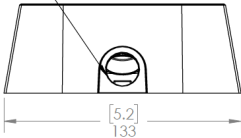


# Junction Box

[X.X]	INCHES
X	MM



3/4 or 1/2 inch  
conduit opening



# Ordering Information

## H6A Bullet Camera Models

MODELS	MP	LENS	IR	MICROPHONE	RETENTION (DAYS)
4.0C-H6A-BO1-IR-B-30	4.0	4.4 - 9.3mm	✓	✓	30
4.0C-H6A-BO2-IR-B-30	4.0	6.9 - 214.6mm	✓	✓	30
4.0C-H6A-BO1-IR-B-60	4.0	4.4 - 9.3mm	✓	✓	60
4.0C-H6A-BO2-IR-B-60	4.0	6.9 - 214.6mm	✓	✓	60
6.0C-H6A-BO1-IR-B-30	6.0	4.4 - 9.3mm	✓	✓	30
6.0C-H6A-BO2-IR-B-30	6.0	6.9 - 214.6mm	✓	✓	30
6.0C-H6A-BO1-IR-B-60	6.0	4.4 - 9.3mm	✓	✓	60
6.0C-H6A-BO2-IR-B-60	6.0	6.9 - 214.6mm	✓	✓	60
6.0C-H6A-BO1-IR-B-120	6.0	4.4 - 9.3mm	✓	✓	120
6.0C-H6A-BO2-IR-B-120	6.0	6.9 - 214.6mm	✓	✓	120
8.0C-H6A-BO1-IR-B-30	8.0	4.4 - 9.3mm	✓	✓	30
8.0C-H6A-BO2-IR-B-30	8.0	6.9 - 214.6mm	✓	✓	30
8.0C-H6A-BO1-IR-B-60	8.0	4.4 - 9.3mm	✓	✓	60
8.0C-H6A-BO2-IR-B-60	8.0	6.9 - 214.6mm	✓	✓	60

## Camera Accessories

ACCESSORY PART NUMBERS	
H6A-BO1-SHLD1	Replacement BO1 bullet sunshield
H6A-BO2-SHLD1	Replacement BO2 bullet sunshield
PLMT-1001	Pole mount adapter
CRNMT-1001	Corner mount adapter



# Support

For product support, visit [avigilon.com/support](https://avigilon.com/support).

To learn more, visit: [avigilon.com/h6a-bullet](https://avigilon.com/h6a-bullet). For customer documentation, visit [docs.avigilon.com/bundle/alta-video/page/Products/Cameras.htm](https://docs.avigilon.com/bundle/alta-video/page/Products/Cameras.htm).



Motorola Solutions, Inc. 500 West Monroe Street, Chicago, IL 60661 U.S.A. [motorolasolutions.com](https://motorolasolutions.com)

© 2026, Avigilon Corporation. All rights reserved. MOTOROLA, MOTO, MOTOROLA SOLUTIONS and the Stylized M Logo are trademarks or registered trademarks of Motorola Trademark Holdings, LLC and are used under license. All other trademarks are the property of their respective owners.

20260402-EN

Rev 1