

Datasheet

Alta Video

4MP

6MP

8MP

Up to 10-Year Warranty

Avigilon Alta H6A Dome cameras

Turn sight and sound into improved safety



Focus your security with Avigilon H6A Dome cameras. Offering resolutions up to 8 MP and integrated AI-driven video and audio intelligence, this enables faster activity detection and proactively streamlines investigations with high-quality evidence.

High-definition coverage



Get the clarity you need with video up to 8MP. Secure large areas with long-range analytical detection, optimizing coverage while potentially reducing hardware count

AI-powered video analytics



Transform video into instant insights with built-in analytics that alert teams to abnormal behavior and critical events, enabling quicker, more informed responses.

Trusted security, built-in



Secure from the ground up with advanced cybersecurity features, including FIPS 140-3 rated Trusted Platform Module (TPM) and Secure Boot.

Durable, all-weather design



Deploy with confidence in challenging environments. Rated IK10/11, IP66/68, and NEMA Type 4X, the H6A Dome withstands impact, water, and corrosion, providing continuous security.

Integrated audio awareness



Expand beyond sight with a built-in microphone for advanced alerts for sounds. Review the corresponding video instantly, with the option to record necessary audio evidence for review.

Cloud-managed convenience



Manage your sites from anywhere with a cloud-native platform. Automatic software updates deliver the newest features and security protections seamlessly, reducing maintenance overhead.

For more information, visit [avigilon.com/security-cameras/h6a-dome](https://www.avigilon.com/security-cameras/h6a-dome).

Specifications

IMAGE PERFORMANCE		4.0 MP	6.0 MP	8.0 MP (4K ULTRA HD)
Image Sensor		1/1.8" progressive scan CMOS	1/1.8" progressive scan CMOS	1/1.8" progressive scan CMOS
Max Resolution (H x V)	Maximum	2688 x 1520 15fps @3Mbps	3326 x 1872 15fps @3Mbps	3840 x 2160 15fps @6Mbps
	High	1920 x 1080 15fps @1.5Mbps	1920 x 1080 15fps @1.5Mbps	2560 x 1440 15fps @3Mbps
	Medium	1280 x 720 15fps @750Kbps	1280 x 720 15fps @750Kbps	1920 x 1080 15fps @1.5Mbps
	Low	640 x 360 10fps @400Kbps	848 x 480 10fps @400Kbps	1280 x 720 5fps @700Kbps
Dynamic Range	WDR Off	Up to 83 dB	Up to 83 dB	Up to 83 dB
	WDR On (IEC 62676)	Up to 106dB (dual exposure, 30 fps) Up to 136dB (triple exposure, 20 fps or less)	Up to 130dB (dual exposure, 30 fps)	Up to 130dB (dual exposure, 30 fps)
	WDR On	Up to 120dB (dual exposure, 30 fps) Up to 144dB (triple exposure, 20 fps or less)	Up to 144 dB (dual exposure, 20 fps or less)	Up to 144 dB (dual exposure, 20 fps or less)
Max Image Rate		(50 Hz/60 Hz): 25 fps/30 fps	(50 Hz/60 Hz): 25 fps/30 fps	(50 Hz/60 Hz): 25 fps/30 fps
Signal-to-Noise Ratio (SNR)		> 50 dB	> 50 dB	> 50 dB

IMAGE CONTROL	
Image Compression Method	H.264
Streaming	Multi-stream H.264
Electronic Shutter Control	Automatic
Iris Control	Automatic
Day/Night Control	Automatic, Manual
Flicker Control	60 Hz, 50 Hz
White Balance	Automatic
Image Rotation	0°, 90°, 180°, 270° including Corridor Mode
Privacy Zones	Up to 64 zones



LENS AND IR ILLUMINATION		2.8 - 12 MM	4.4 - 9.3 MM	10.9 - 29 MM
IR Illumination Max Distance ¹ (high power 850 nm LEDs)		50 m (164 ft) full tele 25 m (82 ft) full wide	50 m (164 ft) full tele 25 m (82 ft) full wide	70 m (230 ft) full tele 40 m (131 ft) full wide
Minimum Illumination	4MP	N/A	With IR: 0 lux in monochrome mode Without IR: 0.003 lux in monochrome mode; 0.008 lux in color mode	With IR: 0 lux in monochrome mode Without IR: 0.004 lux in monochrome mode; 0.01 lux in color mode
	6MP & 8MP	N/A	With IR: 0 lux in monochrome mode Without IR: 0.006 lux in monochrome mode; 0.02 lux in color mode	With IR: 0 lux in monochrome mode Without IR: 0.008 lux in monochrome mode; 0.03 lux in color mode
Horizontal Angle of View Based on Aspect Ratio	4MP	N/A	(16:9) 47° – 111° (4:3) 35° – 78°	(16:9) 15° – 42° (4:3) 11° – 31°
	6MP & 8MP	N/A	(16:9) 47° – 109° (4:3) 35° – 78°	(16:9) 15° – 42° (4:3) 11° – 31°
Vertical Angle of View Based on Aspect Ratio	4MP, & 6MP, & 8MP	N/A	(16:9) 26° – 57° (4:3) 26° – 57°	(16:9) 9° – 23° (4:3) 9° – 23°
Max Aperture		F1.4	F1.3	F1.7
Control		Remote Zoom and Focus, Autofocus, IR Cut Filter	Remote Zoom and Focus, Autofocus, IR Cut Filter	Remote Zoom and Focus, Autofocus, IR Cut Filter

¹ IR illumination power may be reduced at higher operating temperatures.

NETWORK	
Network	100BASE-TX for H6A
Cabling	CAT5e
Connector	RJ-45
ONVIF	ONVIF® compliance Profile S, Profile T, Profile M and Profile G (www.onvif.org)
Security	Password protection, HTTPS encryption, digest authentication, WS authentication, user access log, 802.1x port based authentication, onboard FIPS 140-2 L3 certified TPM, Secure Boot, Signed and encrypted firmware
Protocols	IPv6, IPv4, HTTP, HTTPS, SOAP, DNS, NTP, RTSP, RTCP, RTP, TCP, UDP, IGMP, ICMP, DHCP, ARP, HSTS
Streaming Protocols	WebRTC, RTP/RTSP/UDP, RTP/RTSP/TCP, RTP/RTSP/HTTP/TCP, RTP/RTSP/HTTPS/TCP
Device Management	SNMP v2c, SNMP v3

PERIPHERALS	
USB Port ²	USB 2.0
Onboard Storage	Up to two microSD/microSDHC/microSDXC cards fitted to match purchased retention period.

² Not currently supported.



AUXILIARY I/O	
Audio Compression Method	G.711 PCM 8 kHz, Opus
Audio Input/Output	Line level input and output
External I/O Terminals ³	1 x Relay In, 1 x Relay Out, 1 x 12 VDC out at 50 mA
Microphone	Built-in microphone for audio analytics, for certain variants, with physical disable switch

³ Not currently supported.

MECHANICAL		SURFACE MOUNT	IN-CEILING MOUNT	PENDANT MOUNT
Dimensions (DxH)		182 mm x 132 mm; 7.16" x 5.19"	219 mm x 198 mm; 8.62" x 7.79"	182 mm x 190 mm; 7.16" x 7.48"
Accessory Only Dimensions (DxH)		N/A	219 mm x 115 mm; 8.62" x 4.52"	155 mm x 65 mm; 6.1" x 2.55"
Weight	Indoor Dome	1.21 kg; 2.66 lbs	1.83 kg; 4.03 lbs	1.63 kg; 3.59 lbs
	Outdoor Dome	1.59 kg; 3.5 lbs	1.99 kg; 4.38 lbs	2.01 kg; 4.43 lbs
Dome Bubble		Polycarbonate	Polycarbonate	Polycarbonate
Body		Polycarbonate and aluminum	Polycarbonate and aluminum	Polycarbonate and aluminum
Housing		Surface mount	Recessed mount	Pendant mount
Finish	Indoor Dome	Plastic injection mold grey (Pantone 427C)	Plastic injection mold grey (Pantone 427C) & Powdercoat black	Powdercoat grey & plastic injection mold grey (Pantone 427C)
	Outdoor Dome	Powdercoat grey (Pantone 427C)	Plastic injection mold grey (Pantone 427C) & Powdercoat black	Powdercoat grey (Pantone 427C)
Adjustment Range		Pan 360°, Azimuth 349°, Tilt 92°	Pan 360°, Azimuth 349°, Tilt 92° Polycarbonate and aluminum	Pan 360°, Azimuth 349°, Tilt 92°

ELECTRICAL		
Power Consumption		25W (18W with no IR or IR disabled)
Power Source	PoE	IEEE 802.3af Class 3
	PoE+	IEEE 802.3at Class 4
IR Illumination Behavior	PoE	IR illuminator will turn off if the temperature is 65°C (149°F) or higher. The illuminator will operate at 50% power and 25% power if below -25°C (-13°F)
	PoE+	IR illuminator will turn off if the temperature is 65°C (149°F) or higher. The illuminator will operate at 50% power if the temperature is between 55°C (131°F) and 65°C (149°F) and 50% power if below -25°C (-13°F)
External Power		12-24 VDC +/-10%
RTC Backup Battery		3V manganese lithium
Memory		4GB RAM, 4GB Flash



ENVIRONMENTAL		INDOOR DOME	OUTDOOR DOME
Operating Temperature	PoE	-10°C to +55°C (-14°F to 131°F)	-30°C to +65°C (-22°F to 149°F) with IEEE 802.3af Class 3 (13W PoE)
	With External Power or PoE+	-10°C to +55°C (-14°F to 131°F)	-50°C to +65°C (-58°F to 149°F) with external power or IEEE 802.3at Class 4 (25.5W PoE+)
Startup Temperature	PoE	-10°C to +55°C (-14°F to 131°F)	-30°C to +65°C (-22°F to 149°F) with IEEE 802.3af Class 3 (13W PoE)
	With External Power or PoE+	-10°C to +55°C (-14°F to 131°F)	-40°C to +65°C (-40°F to 149°F) with external power or IEEE 802.3at Class 4 (25.5W PoE+)
Absolute Maximum Temperature		74 °C (165 °F) per NEMA TS2 (Temp.) para 2.2.7.2 - 2.2.7.7	74 °C (165 °F) per NEMA TS2 (Temp.) para 2.2.7.2 - 2.2.7.7
Humidity		0 - 95% non-condensing	0 - 95% non-condensing

CERTIFICATIONS		
Certifications/Approvals		UL, cUL, CE, ROHS, RCM, UKCA, NOM, KC, BIS
Safety Standards		UL 62368-1, CSA 62368-1, IEC/EN 62368-1, IEC 62471, UL 2043 Plenum (in-ceiling only)
Environmental Standards/Ratings	Indoor Dome	IEC 60529 IP54, IEC/EN 62262 IK11 (IK10 Surface Mount w/IR)
	Outdoor Dome	IEC 60529 IP66, IP67, IP68 (2m depth for 2 hours), IPX9K, NEMA 4X, IEC 60068-2 Shock & Vibration, NEMA TS2 Sec 2.2.7-2.2.9, IK11
Electromagnetic Emissions Standards		FCC Part 15 Subpart B Class B, ICES-003 Class B, EN 55032 Class B, EN 61000-6-3, EN 61000-3-2, EN 61000-3-3, EN 50121-4, EN 50130-4
Electromagnetic Immunity Standards		EN 55035, EN 61000-6-1, EN 50121-4, EN 50130-4
Warranty ⁴		Limited 10 Year Warranty (avigilon.com/support/warranty)

⁴ With valid camera license.



Analytics specifications

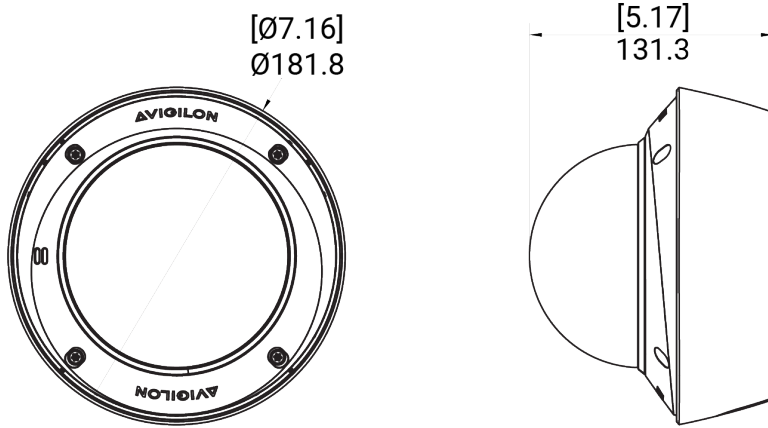
For information about the analytics available from cameras attached to Alta Video, see <https://docs.avigilon.com/bundle/alta-video-vms/resource/alta-video-vms.pdf>.



Outline Dimensions

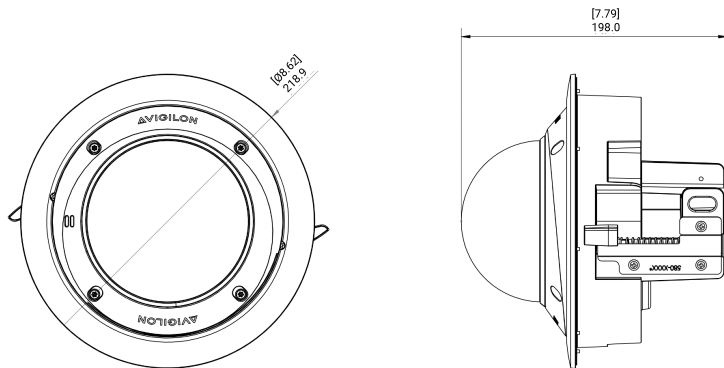
H6A Dome Camera with Surface Mount

[X.X]	INCHES
X	MM



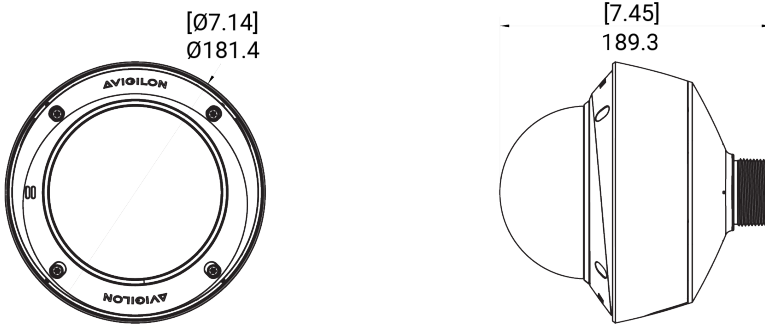
H6A Dome Camera with In-Ceiling Mount (CLADP-1001)

[X.X]	INCHES
X	MM



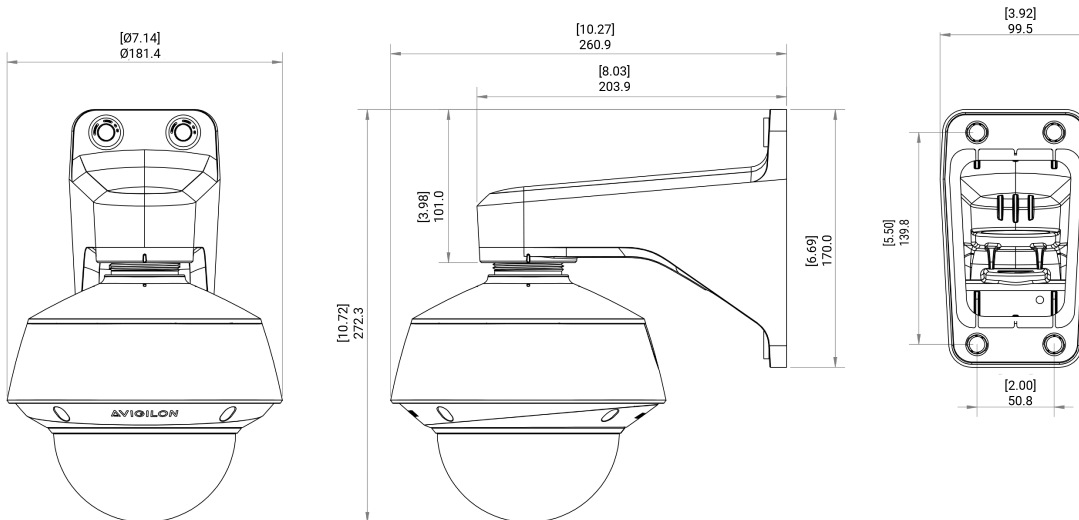
H6A Dome Camera with NPT Adapter (H6A-MT-NPTA1)

[X.X]	INCHES
X	MM







H6A Dome Camera with NPT Adapter (H6A-MT-NPTA1) and Pendant Wall Mount (WLMT-1021)

[X.X]	INCHES
X	MM



Ordering Information

MOUNTING SCENARIO		ORDERING INFORMATION
Pendant wall mount		<p>Order one of:</p> <ul style="list-style-type: none"> Indoor or outdoor surface mount H6A Dome camera H6A-MT-NPTA1 WLMT-1021 <p>Optional:</p> <ul style="list-style-type: none"> PLMT-1001 (Pole mount adapter) CRNMT-1001 (Corner mount adapter)
Pendant NPT mount		<p>Order one of:</p> <ul style="list-style-type: none"> Indoor or outdoor surface mount H6A Dome camera H6A-MT-NPTA1
Surface mount		<p>Order one of:</p> <ul style="list-style-type: none"> Indoor or outdoor surface mount H6A Dome camera <p>Optional:</p> <ul style="list-style-type: none"> DMSLD-1001 (weathershield)
In-ceiling mount		<p>Order one of:</p> <ul style="list-style-type: none"> Indoor or outdoor surface mount H6A Dome camera CLADP-1001 <p>Optional:</p> <ul style="list-style-type: none"> CLPNL-1011 (metal ceiling panel)

H6A Outdoor Dome Camera Models

MODELS	MP	LENS	IR	MICROPHONE	RETENTION (DAYS)
4.0C-H6A-DO1-IR-B-30	4.0	4.4 - 9.3mm	✓	✓	30
4.0C-H6A-DO1-IR-B-60	4.0	4.4 - 9.3mm	✓	✓	60
6.0C-H6A-DO1-IR-B-30	6.0	4.4 - 9.3mm	✓	✓	30
6.0C-H6A-DO1-IR-B-60	6.0	4.4 - 9.3mm	✓	✓	60
6.0C-H6A-DO1-IR-B-120	6.0	4.4 - 9.3mm	✓	✓	120
8.0C-H6A-DO1-IR-B-30	8.0	4.4 - 9.3mm	✓	✓	30
8.0C-H6A-DO1-IR-B-60	8.0	4.4 - 9.3mm	✓	✓	60



H6A Indoor Dome Camera Models

MODELS	MP	LENS	IR	MICROPHONE	RETENTION (DAYS)
4.0C-H6A-D1-IR-B-30	4.0	4.4 - 9.3mm	✓	✓	30
4.0C-H6A-D1-IR-B-60	4.0	4.4 - 9.3mm	✓	✓	60
6.0C-H6A-D1-IR-B-30	6.0	4.4 - 9.3mm	✓	✓	30
6.0C-H6A-D1-IR-B-60	6.0	4.4 - 9.3mm	✓	✓	60
6.0C-H6A-D1-IR-B-120	6.0	4.4 - 9.3mm	✓	✓	120
8.0C-H6A-D1-IR-B-30	8.0	4.4 - 9.3mm	✓	✓	30
8.0C-H6A-D1-IR-B-60	8.0	4.4 - 9.3mm	✓	✓	60

Camera Accessories

ACCESSORY PART NUMBERS	
H6A-MT-NPTA1	Pendant NPT adapter
WLMT-1021	Pendant wall arm, 1.5" NPT female, 20 cm (7.8") long
CLADP-1001	In-Ceiling adapter
CLPNL-1011	Metal ceiling panel for suspended ceiling installations
DMSLD-1001	Weathershield for dome cameras
DMBBL-1001	Replacement clear dome bubble
DMBBL-1011	Replacement IR dome bubble
DMSBL-1001	Optional smoked dome bubble, not compatible with the IR cameras
GROM-1001	Camera sealing grommet, pack of 10
GROM-1011	Pipe sealing grommet, pack of 10
PLMT-1001	Pole mount adapter
CRNMT-1001	Corner mount adapter



Support

For product support, visit avigilon.com/support.

To learn more, visit: avigilon.com/h6a-dome. For customer documentation, visit docs.avigilon.com/bundle/alta-video/page/Products/Cameras.htm.



Motorola Solutions, Inc. 500 West Monroe Street, Chicago, IL 60661 U.S.A. motorolasolutions.com

© 2026, Avigilon Corporation. All rights reserved. MOTOROLA, MOTO, MOTOROLA SOLUTIONS and the Stylized M Logo are trademarks or registered trademarks of Motorola Trademark Holdings, LLC and are used under license. All other trademarks are the property of their respective owners.

20260402--EN

Rev 1